

MEMS 1x8 Fiber Optical Switch/VOA

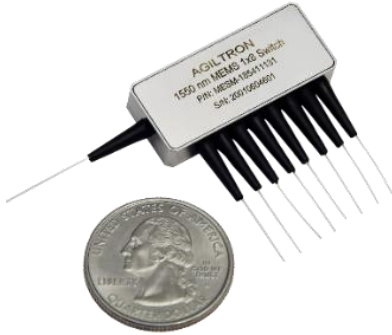
(Bidirectional, SM, MM, PM)

(Protected by US Patent 10752492B2)



DATASHEET

BUY NOW



The MEMS 1x8 Series Fiber Optical Switch uses a patented thermal activated micro-mirror, moving-in and -out optical paths at a 45 degree angle to direct an incoming light into a selected output fiber without hitting other ports, by which the degradation of multi-fiber collimator due to the laser steering in long period is entirely eliminated. It uniquely offers unprecedented high stability over a wide temperature range, compact size, exceptionally long operation life, insensitive to moisture and ESD, no short and long-term drifts, and high-reliability for over 25 years of continuous operation.

The device can also simultaneously function as a variable attenuator in which the output light intensity is continuously controlled. The switches are Telcordia GR1221 qualified. The switch is conveniently controlled by directly applying a voltage to each mirror actuator.

Applications

- Channel Routing
- Configurable Add/Drop
- System Monitoring
- Instrumentation

Features

- Hitless
- High Reliability
- ESD Tolerance

Specifications

Parameter		Min	Typical	Max	Unit
Operation Wavelength		Single Band: 1310±40 or 1550±40			nm
		Dual Band: 1310±40 & 1550±40			
		Broad Band: 1260~1620			
Insertion Loss ^[1]	Single Band ^[2]		0.7	1.2	dB
	Dual Band ^[2]		0.8	1.4	dB
Wavelength Dependent Loss			0.2	0.3 ^[2]	dB
Polarization Dependent Loss (SM)				0.1	dB
Extinction Ratio (PM)		18	25		dB
Cross Talk ^[1]	(SM, PM)	50			dB
	(MM)	35			dB
Return Loss ^[1]	(SM, PM)	50			dB
	(MM)	35			dB
Switching Time			10		ms
Repeatability				± 0.05	dB
Repetition Rate			10		Hz
Durability		10 ⁹			cycle
Switching Type		Non-Latching			
Operating Temperature		-5		70	°C
Storage Temperature		-40		85	°C
Optical Power Handling (CW)			300	500	mW
Fiber Type	Single Mode Switch	SMF-28 fiber or equivalent			
	PM Switch	Panda 250 fiber or equivalent			

Notes:

- [1]. Excluding connectors
- [2]. Dual band and Broad band
- [3]. Testing light source CPR <14 dB

Rev 09/13/23

© Photonwares Corporation

+1 781-935-1200

sales@photonwares.com

www.agiltron.com

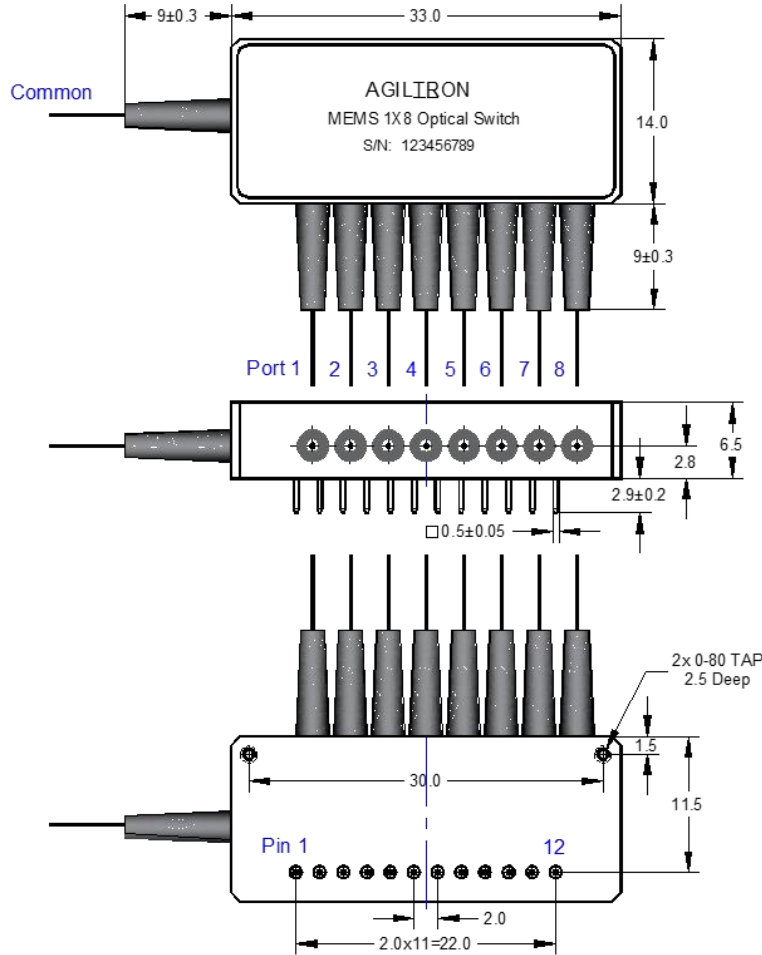
MEMS 1x8 Fiber Optical Switch/VOA

(Bidirectional, SM, MM, PM)



DATASHEET

Mechanical Footprint Dimensions (mm)



*Product dimensions may change without notice. This is sometimes required for non-standard specifications.

Driving Table and Requirement

Optical Path	Pin Number														
	1	2	3	4	5	6	7	8	9	10	11	12			
Common ↔ Port 1	+V	0	0	0	0	0	0	0	0	0	0	0			
Common ↔ Port 2	0		+V	0		0	0		0						
Common ↔ Port 3	0		0	+V		0	0		0	0					
Common ↔ Port 4	0		0	0		0	+V		0	0		0			
Common ↔ Port 5	0		0	0		0	0		+V	0		0	0		
Common ↔ Port 6	0		0	0		0	0		0	0		+V	0	0	
Common ↔ Port 7	0		0	0		0	0		0	0		0	+V	0	0
Common ↔ Port 8	0		0	0		0	0		0	0		0	0	0	+V

[1]. +V: 4.0 ~ 4.4VDC, typically 4.2VDC

[2]. Each MEMS Chip Power Consumption is about 170 mW

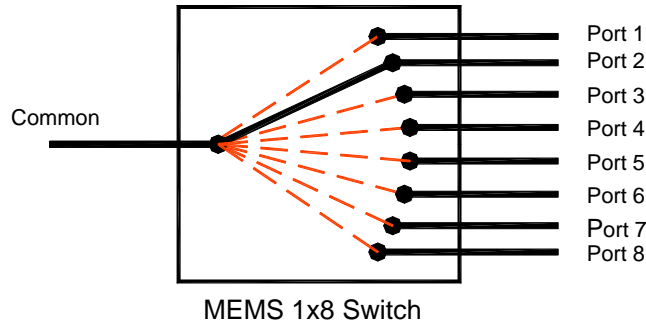
MEMS 1x8 Fiber Optical Switch/VOA

(Bidirectional, SM, MM, PM)



DATASHEET

Functional Diagram

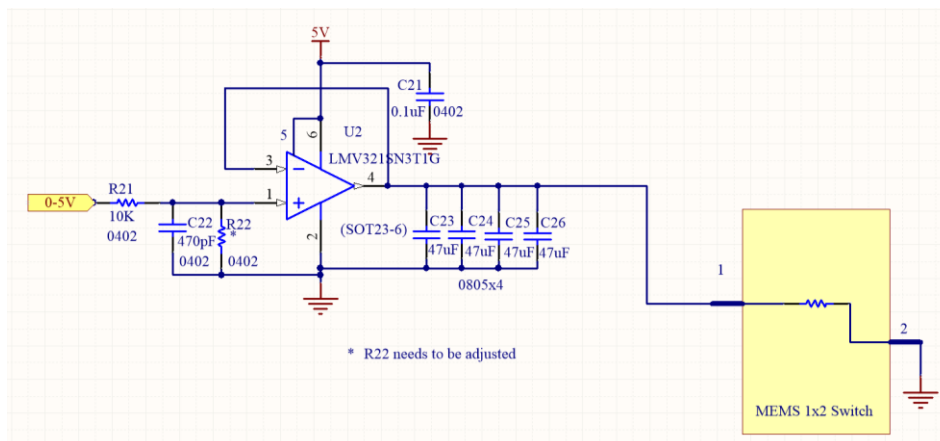


Note:

- 1) Standard version: None of ports is connected optically without voltage. In addition of On-Off operation, the attenuation can be realized in each port. When the applied voltage is increased, IL of the relevant port will be reduced from IL in max (>50dB) to IL in min, realizing VOA function.
- 2) Default version: Port #8 is connected as default without voltage. VOA function isn't available any more in all ports.

Recommendation Control Circuit

In order to minimize the overshooting and oscillation in optics, the following circuit is recommended for driving signal on PIN.



MEMS 1x8 Fiber Optical Switch/VOA

(Bidirectional, SM, MM, PM)



DATASHEET

Ordering Information

Prefix	Type	Wavelength	Switch	Version	Fiber Type	Fiber Cover	Fiber Length	Connector
MESM- ^[1]	1x5 = 15	1260~1620 = B	Non-Latching = 2	Standard = 1	SMF-28=1	Bare fiber=1	0.25m=1	None=1
MEMP- ^[2]	1x6 = 16	1310 = 3		Default = D	PM1550=B	900 um tube=3	0.5m=2	FC/PC=2
	1x7 = 17	1550 = 5		Special = 0	PM1400=C	Special=0	1.0m=3	FC/APC=3
	1x8 = 18	1310 & 1550 = 9			PM1310=D		Special=0	SC/PC=4
	Special = 00	Special = 0			PM980=E			SC/APC=5
					PM850=F			LC/PC=7
					Special=0			Duplex LC/PC=8
								Special=0

[1]. **MESM**: MEMS 1x8 Single mode Mini Switch

[2]. **MEMP**: MEMS 1x8 Mini PM fiber Switch

NOTE:

- ☐ **PM1550** fiber works well for **1310nm**

Fiber Core Alignment

Note that the minimum attenuation for these devices depends on excellent core-to-core alignment when the connectors are mated. This is crucial for shorter wavelengths with smaller fiber core diameters that can increase the loss of many decibels above the specification if they are not perfectly aligned. Different vendors' connectors may not mate well with each other, especially for angled APC.

Fiber Cleanliness

Fibers with smaller core diameters (<5 μm) must be kept extremely clean, contamination at fiber-fiber interfaces, combined with the high optical power density, can lead to significant optical damage. This type of damage usually requires re-polishing or replacement of the connector.

Maximum Optical Input Power

Due to their small fiber core diameters for short wavelength and high photon energies, the damage thresholds for device is substantially reduced than the common 1550nm fiber. To avoid damage to the exposed fiber end faces and internal components, the optical input power should never exceed 20 mW for wavelengths shorter 650nm. We produce a special version to increase the how handling by expanding the core side at the fiber ends.

MEMS 1x8 Fiber Optical Switch/VOA

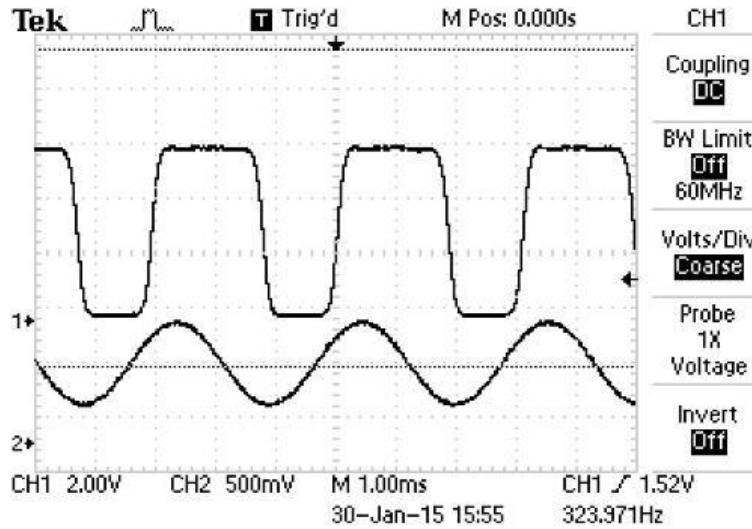
(Bidirectional, SM, MM, PM)



DATASHEET

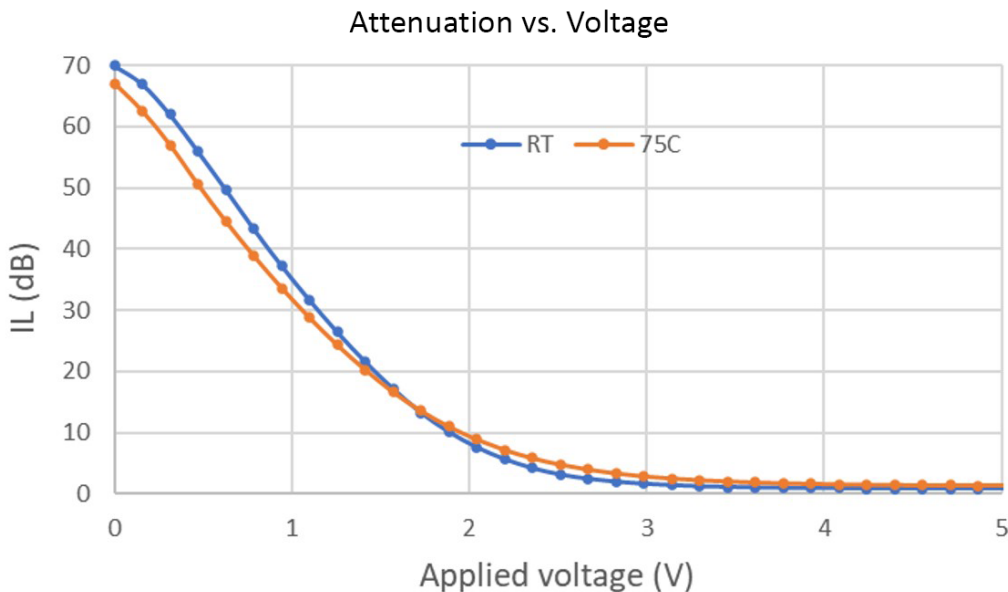
10⁹ Switching Cycle Test

We have tested MEMS 1x2 switch at the resonant frequency ~300Hz for more than 40 days, as shown in the attachment, which corresponding over 10⁹ switching cycles. The measurements show little changes in Insertion loss, Cross Talk, Return loss etc, all parameters are within our specs.



VOA Capability on Port

The attenuation in each channel can be realized in this MEMS switch without scarfying the switch performances. The attenuation is realized by the applied voltage between 0 and 4V, as shown in the following figure (typical).



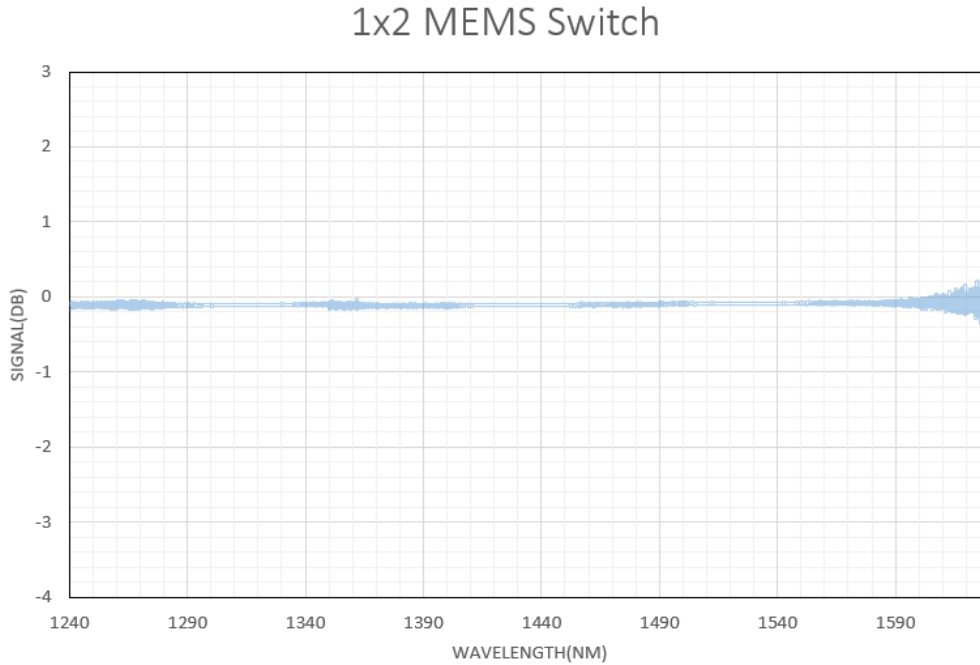
MEMS 1x8 Fiber Optical Switch/VOA

(Bidirectional, SM, MM, PM)



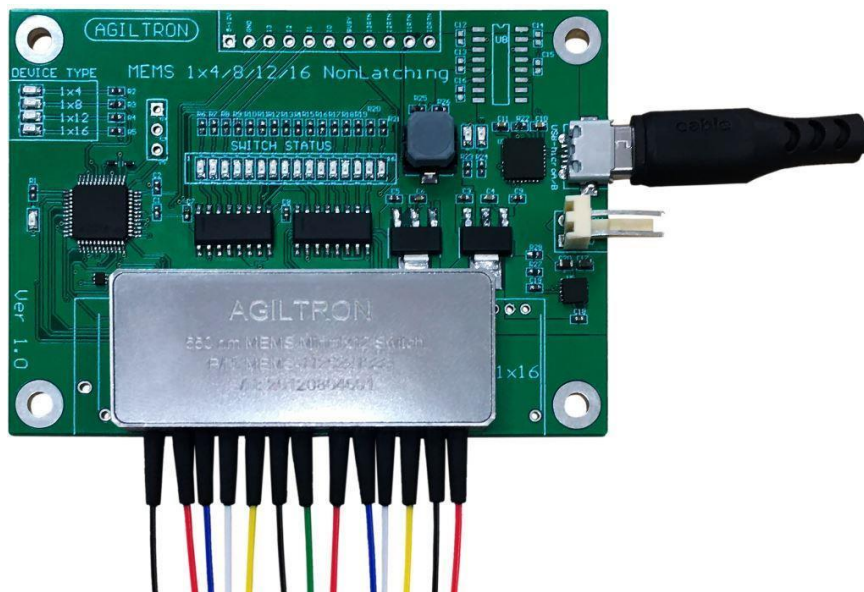
DATASHEET

Typical Insertion Loss vs Wavelength (1240-1630nm)



Demo Driver

USB RS232/GUI, Pushbutton/LED Channel Indicators
Applicable to Non-latching MEMS-1x4, 1x8, 1x12 and 1x16 (\$255)



MEMS-1x12 on Demo driver